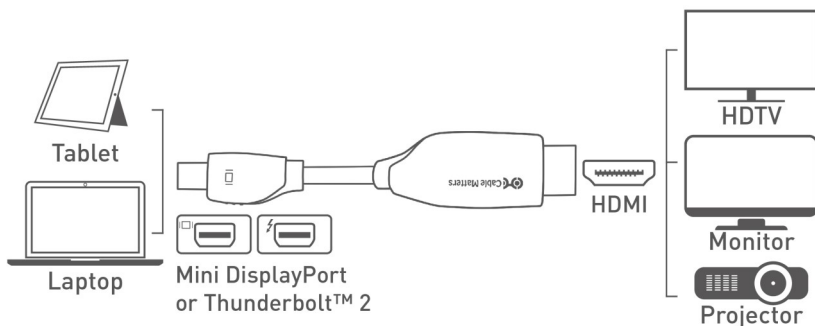


Mini DisplayPort™ to HDTV Cable



- 1) Connect MiniDP CABLE end to the Mini DisplayPort/Thunderbolt 2 port of the COMPUTER
- 2) Connect the HDTV CABLE end to the DISPLAY with HDMI input
- 3) Select the HDMI input setting from the menu of the connected DISPLAY
- 4) Select a compatible VIDEO resolution and refresh rate from the computer
- 5) Adjust the computer AUDIO output settings for HDMI

Connection Notes

- WINDOWS & MAC COMPATIBLE with Thunderbolt™ 2 or Mini DisplayPort ports
- DUAL MONITOR SETUP to connect up to 2 monitors (1 adapter per monitor) with AMD Eyefinity
- NOT BI-DIRECTIONAL cable converts the signal only from Mini DisplayPort to HDMI
- VIDEO RESOLUTION up to 1920x1200 @ 60 Hz including 1080p
- AUDIO SUPPORT for LCPM, DTS, and Digital Dolby with compatible equipment
- MACS BEFORE 2010 do not output audio over Mini DisplayPort
- CHECK DRIVER UPDATE availability for any OS or video graphics card updates for MiniDP
- EASY-GRIP TREADS on the connector assist in cable unplugging to prevent damage
- HDMI TO DVI adapter compatible with a separate adapter for video transmission only
- HDCP SUPPORT for viewing copy protected video with HDCP compliant equipment
- DUST CAPS protect the connectors on the cabling when traveling

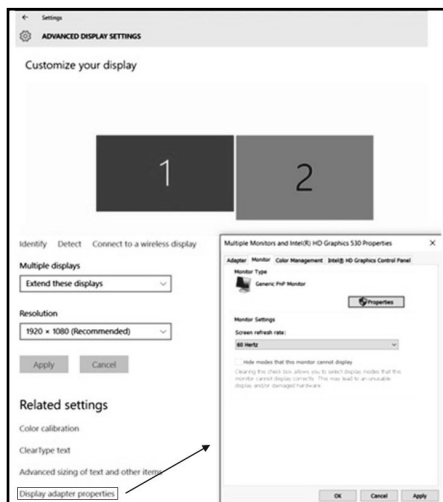
Apple, Mac, MacBook, MacBook Air, MacBook Pro, Mac Pro, and iMac are trademarks of Apple Inc.
HDMI and High-Definition Multimedia Interface are either registered trademarks or trademarks of HDMI Licensing, LLC in the United States and/or other countries
Thunderbolt is a trademark of Intel Corporation in the U.S. and/or other countries.

Contact ***support@cablematters.com*** for questions

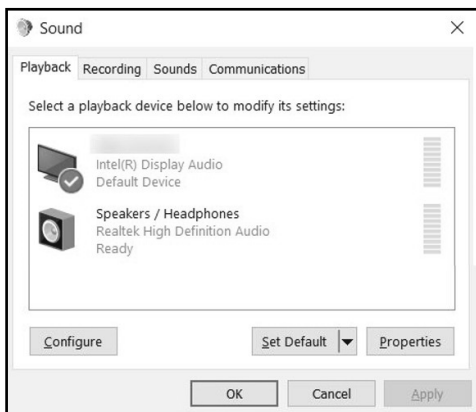
VIDEO SETTINGS IN WINDOWS

- 1) Connect the cable to both ends
- 2) Select the **HDMI input** from the connected display menu
- 3) Search for **Display Settings** in Windows
- 4) Select to **Duplicate** or **Extend** the display (**Note:** Click and drag the program to the display in Extended Mode)
- 5) Click **Apply** to save the settings

Select **Display Adapter Properties** to adjust the video Refresh Rate



AUDIO SETTINGS IN WINDOWS

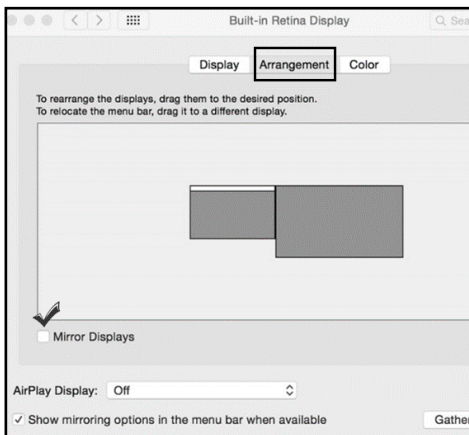


- 1) Search for **Sound** in Windows
- 2) Open the **Playback Tab** in **Sound**
- 3) Select the display with **HDMI** audio
- 4) Set the **Configuration** and **Properties**
- 5) Click **Set Default**
- 6) Click **Apply** and **OK** to save the settings
- 7) Adjust the volume at the connected display

- ◆ Changing the audio device may require you to **RESTART** your PC
- ◆ Check that your computer volume is not **MUTED** or extremely low

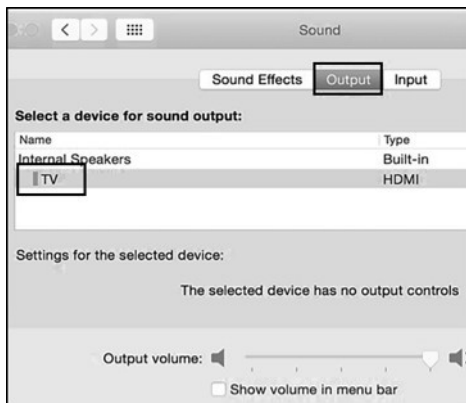
VIDEO SETTINGS IN MAC

- 1) Connect the cable to both ends
- 2) Select the **HDMI input** on the display
- 3) Open the **Apple Menu** on your computer
- 4) Select **System Preferences**
- 5) Click the **Displays** icon
- 6) Click the **Arrangement** tab
- 7) Choose to **Duplicate** or **Extend** the display



- ◆ **DUPLICATE** the display: Check 'Mirror Displays' box
- ◆ **EXTEND** the display: Drag the display box to the desired position
- ◆ **TOP WHITE BAR**: Drag it to the other display to change the primary screen

AUDIO SETTINGS IN MAC



- 1) Open the **Apple Menu**
- 2) Select **System Preferences**
- 3) Click the **Sound** icon
- 4) Click the **Output** tab
- 5) Select the connected display with **HDMI**
- 6) Adjust the volume at the connected display

- ◆ Check the technical specifications of your display to verify if it supports audio input over HDMI, requires a separate audio cable, or does not support audio at all

Troubleshooting Tips

CABLING

- Check that all cable connections are secure
- Inspect the cable to check that no pins are damaged or bent
- Test the cable with a different port or computer, if possible

COMPUTER SOURCE

- Check for updated OS and video graphics card drivers for Mini DisplayPort/Thunderbolt
- Review the troubleshooting steps from your computer manufacturer
- Try different video resolution and refresh settings supported by the connected display
- Verify that the audio from your computer is not muted or extremely low
- Reboot the computer after making multiple changes

CONNECTED DISPLAY

- Select the HDMI input from the connected display menu
- Select a video resolution and aspect ratio setting supported by your computer
- Adjust the audio level with your remote or from the display menu
- Check for firmware updates and troubleshooting from the display manufacturer

View our other Mini DisplayPort Cable products at www.cablematters.com



**Active Mini DP to HDMI Adapter
Model 101021**



**Mini DP to DP Cable
Model 101007**



**Mini DisplayPort Cable
Model 101007**

Customer Support and Contact Information Cable Matters offers lifetime technical support as an integral part of our commitment to provide industry leading solutions.

Contact us at wholesale@cablematters.com for large volume discount pricing.

Warranty Information This product is backed by a limited one-year warranty. In addition, Cable Matters warrants its products against defects in materials and workmanship for the periods noted, following the initial date of purchase. During this period, the products may be returned for repair, or replaced with equivalent products at our discretion. The warranty covers parts and labor costs only. Cable Matters does not warrant its products from defects or damages arising from misuse, abuse, alteration, or normal wear and tear.

Limitation of Liability In no event shall Cable Matters Inc. (including their officers, directors, employees or agents) be liable for any damages (whether direct or indirect, special, punitive, incidental, consequential, or otherwise), loss of data, loss of profits, loss of business, or any pecuniary loss, arising out of, or related to the use of this product exceeding the actual price paid for the product. Some states do not allow the exclusion or limitation of incidental or consequential damages. If such laws apply, the limitations or exclusions contained in this statement may not apply to you.

Cable Matters is a registered trademark or trademark of Cable Matters Inc. All rights reserved.
All other trademarks are the property of their respective owners.

Contact support@cablematters.com for questions